

RouteSwitch Monitor System

Product Highlights:

- Compatible with all CXR Larus Models 5702/5703 products, including legacy installations
- Occupies only 1U of rack space
- Seamless E2A Alarm Conversion without additional special adapters or equipment
- Choice of Form 1A Dry Contact or TTL outputs via software control
- Autosensing for 10 or 100 Base-T
- SNMP V2c or V3 software selectable
- Supports full SNMP Discovery
- Local Serial RS-232 Craft Port
- Internal Real Time Clock (RTC) for time stamping of alarm events
- On-board RTC Synchronized to Network NTP
- Up to 2000 events stored in non-volatile memory
- -48 Vdc Local Powering
- True "Plug and Play"
- Choice of 19 or 23 inch rack configurations with reversible mounting ears
- Greatly lowers maintenance OpEx costs



The **CXR Larus Model 5700 RouteSwitch Monitor System** is a compact and versatile **1U** size alarm status and control module to complement the industry standard CXR Larus Models 5702 and 5703 line of RouteSwitch T1 and E1 automatic protection systems. These systems have been deployed all over the world protecting critical data, and have an unparalleled track record over the years. With the implementation of new packet based ethernet alarm and control systems the requirement for an easy to install interface to the E2A alarm interface of the Models 5702/5703 became apparent, and CXR Larus has come up with this innovative accessory product as a result.

The Model 5700 RouteSwitch Monitor System provides a seamless integration between new and existing Models 5702-2, 5702-3, and 5702-3A shelf installations and remote Network Operations Center (NOC) monitoring sites through the use of ethernet based Simple Network Management Protocol (SNMP). The RouteSwitch Monitor supports both versions SNMP V2c and V3, and either version is software selectable on demand.

Unique to the Model 5700 RouteSwitch Monitor is the inclusion of an onboard Real Time Clock (RTC) and a non-volatile memory system that will allow the unit to store up to 2,000 separate alarm and status change events. The on-board RTC can be synchronized to your network's NTP to provide millisecond accuracy in event time stamping, greatly aiding with pinpointing and isolating troublesome network problems.

One Model 5700 RouteSwitch Monitor is required per each Model 5702-3A shelf, meaning that the status of 6 protected T1s can be monitored per system.

```

GA Telnet 192.168.2.109
Utility Menu
-----
[a] - View sys event log
[b] - Delete sys event log
[c] - Edit user
[d] - Set Management port
[e] - Show network
[f] - Show routing table
[g] - Show process status
[h] - Sync with NTP server
[i] - Set timezone
[j] - Show date/time
[k] - Set date/time
[l] - Set IO [level/transfer]
[m] - Upgrade software image
[n] - Reset to factory setting
[o] - Warm reboot
-----
Press Esc to return
->_
  
```

The easy-to-use menu system makes configuring the 5700 or retrieving system information a snap!

CXR Larus 5700 RouteSwitch Monitor System

Specifications:

Physical:

Dimensions, Weight: (W x D x H):

19 in. (482 mm) x 11 in. (279 mm) x 1.75 in. (44.5 mm)
(with mounting ears at 19" position)

8 lbs (3.6 kg) nominal

Reversible mounting ears for either 19" or 23" racks

System Supply Voltage

-42 Vdc to -56 Vdc, , 0.55A maximum, <0.25A nominal,
Provisions for both A and B power feeds

Environmental:

Operating Temp: 0°C to 50° C

Storage Temp: -40°C to 75°C

Relative humidity: 0-95%, non condensing

Inputs/Outputs:

Pair of 50 Pin female telco ribbon connectors to interface through cable (not supplied) directly with CXR Larus 5702-3, -3A shelves E2A Status and Control connectors, or 5702-11 shelf with optional adapter cable.

Pair of 50 Pin male telco ribbon connectors to provide either dry contact or TTL compatible outputs (software selectable)

Dry Contact rating: 60V, 100mA, per output

TTL Maximum Load: 116 mA per output

Ethernet Connector: RJ-45, Per IEEE-802.3

Supports DHCP or static IP addressing, telnet and TFTP (FTP)

Security: Password protected, 2 levels of security, with up to 8 unique users

RS-232 Craft Interface Connector: 9 pin Male D-Sub connector, DCE.

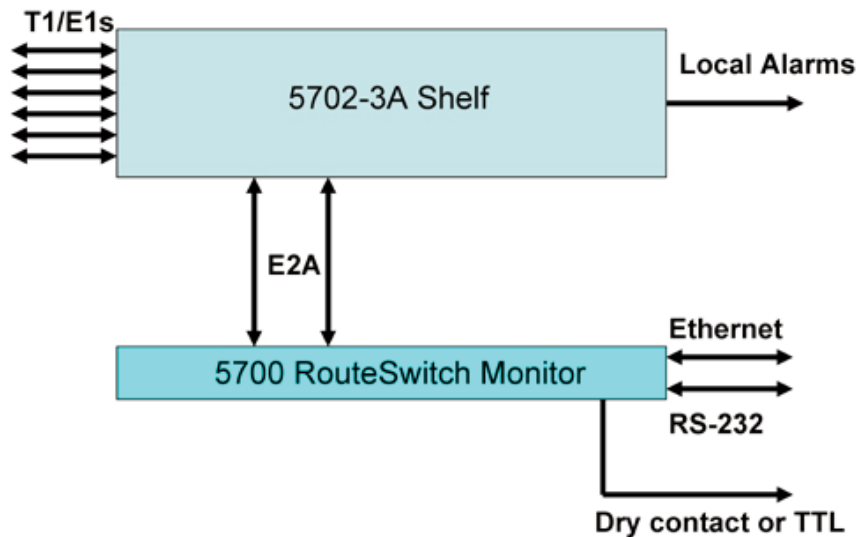
Connection to PC or Laptop requires null modem cable (not supplied)

Security: Password protected, 2 levels of security, with up to 8 unique users

Standards:

Meets or exceeds industry standards, including, ANSI,

Telcordia, NEBS and CE/UL, SNMP V2C or V3



Ordering Information:

5700-0
041-02759-000

RouteSwitch Monitor System
Adapter Cable for 5702-11 2 slot shelf



Network Timing, Test and Access Solutions