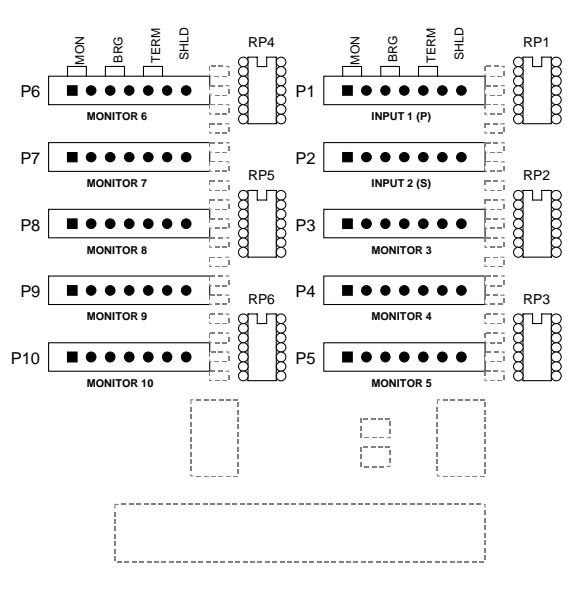


March 14, 2000

APPLICATIONS NOTE

STS 54500 Systems – Input Terminations

On the rear panel of each Model 54500 shelf, there are input signal connection points numbered P1 through P10. These are internally wired to resistor packs, which provide the specific termination resistance depending on the signal type, DS1 (T1) or E1. Input connectors P1 through P5 are supported by three identical resistor packs numbered RP1 through RP3. Input connectors P6 through P10 are supported by another three, RP4 through RP6. Please refer to the diagram, which shows placement of these resistor packs.



Lower Right Rear View of Shelf 54500

When Larus configures these shelves in the factory, the correct resistor pack is installed. If required, the resistor packs can be changed out in the field, three at a time, to the alternate type. It is not acceptable to change only one or two resistor packs.

The E1 shelf 54500-2 uses resistor packs P/N 050-80039-000
Resistive Network 14 pin DIP 270 ohm 2% (This is intended for 120-ohm impedance circuits.)

The DS1 (T1) shelf 54500-3 uses terminations P/N 050-80035-000
Resistive Network 14 pin DIP 220 ohm 2% (This is intended for 100-ohm impedance circuits.)

As an example, if the customer had Model 54500-2 E1 shelves delivered with a majority of 54542-0 E1 Sync Monitor cards, then they would be equipped with resistor packs (050-80039-000). However if they are installing a small quantity of 54541-0 T1 Sync Monitor cards, then other resistor packs (050-80035-000) can be field installed instead.